

A Perfect Rigid Insulation System Installation Manual

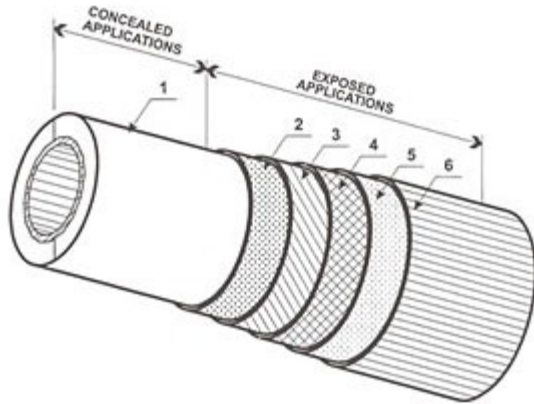
The primary function of most heating, ventilating and air-conditioning systems is to make a comfortable environment for the building occupants. However, energy savings is as much a factor in the initial design of the Building Envelope as it is in the ongoing operating costs of the building's mechanical equipment. **Paramount's** products of HVAC coatings, adhesives and duct sealant can help you increase the thermal performance and delivery of a building's mechanical equipment. This translates into improved energy performance while maintaining occupant comfort.

HVAC Coatings and Adhesives

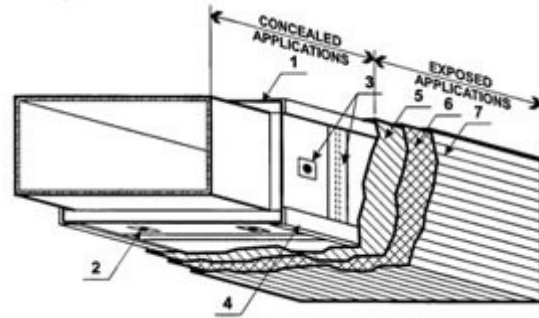
Paramount Polytrete Chemicals Pvt. Ltd. Is having complete line of insulation adhesives and coatings to help control heat flow and to protect ductwork and piping, either on the inside or outside of a building.

Reducing heat loss or heat gain through buildings' networks of ducts and piping can significantly reduce the energy demand on mechanical equipment. **Paramount Polytrete Chemicals Pvt. Ltd.** Is having a range of insulation adhesives to adhere a variety of insulation types on various Air-Conditioning Duct.

Whenever you have insulation on equipment, you want to keep it dry to perform better as an insulator. Since moisture vapour tends to travel away from warm surfaces and towards cool surfaces, on heated equipment any moisture in the insulation will want to travel outward. A breather coating will let this moisture escape. On cold service equipment, moisture will be drawn toward the cold surface. A vapour barrier coating will keep the moisture out. Therefore, as a rule, we use a breather coating on heated equipment and a vapour barrier coating on cold service equipment.



1. Preformed pipe insulation
2. Preparation with modified **30-36** to fill the gaps
3. Tack coat of **30-36**
4. Lagging fabric of **Parafeb**
5. First coat of **30-36**
6. Finish coat of **30-36**
7. Clour coat of **30-36** if required



1. Rigid insulation adhere with **BA-60** or **A-36**
2. Mechanical fasteners
3. Vapour barrier Filler (Modified **30-36**)
4. Aluminum Channel
5. Tack coat of **30-36**
6. Lagging fabric of **Parafeb**
7. Two Finish coat of **30-36**



Duct Sealers

Uncontrolled air leakage through ductwork can significantly reduce the capacity of the buildings mechanical equipment to properly distribute the quantity of air needed to control the indoor environment needed by its occupants. **Paramount Polytrear Chemical's Star Acryseal** are polymeric ,high-velocity duct sealant that seal the joints and seams on metal ductwork of the buildings, heating, ventilation and air-conditioning systems. This reduces air pressure loss in the ducts and therefore reduces the operating costs of mechanical equipment by increasing their efficiency.

